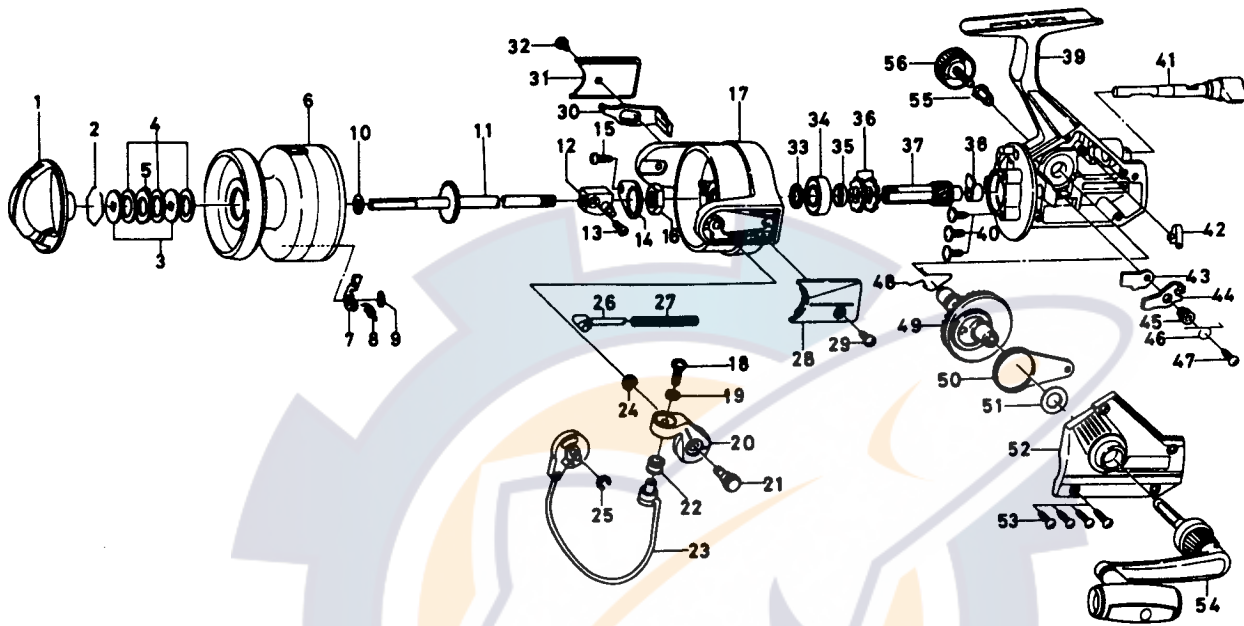


SPINNING REEL – BW2600/4000



Key No.	Part No.	Part Name	Price
1	K12-3902	Drag knob	4.60
2	171-7701	Drag washer retainer	.35
3	K06-7901	Key washer	.55
4	375-7802	Drag washer	.95
5	B89-9501	Eared washer	.60
2-9	K06-7403	Spool assembly	8.50
7	B07-8201	Click pawl	.85
8	K12-6401	Click spring	.55
9	320-1402	Click retainer	.55
10	374-9002	Spool washer	.50
11	K06-6801	Main shaft assembly	2.80
12	K12-1901	Oscillating slider	2.30
13	352-0901	Oscillating slider screw	.40
14	B02-1601	Rotor nut holding plate	.80
15	L01-1702	Rotor nut holding plate screw	.35
16	340-8301	Rotor nut	.60
17	K12-5104	Rotor	6.75
18	353-9702	Line roller screw	.60
19	160-8101	Lock washer	.45
20	K06-6701	Bail arm	3.00
21	K12-0401	Bail arm screw	.95
22	250-4221	Line roller	1.05
23	K06-6301	Bail	4.20
24	320-1402	Bail arm screw retainer	.55
25	320-1402	Bail trip cam screw retainer	.55
26	K12-0601	Bail spring shaft	.75
27	K12-0701	Bail spring	.60
28	K12-0801	Bail spring cover	.90
29	K07-1501	Bail spring cover screw	.50
30	K11-9801	Bail trip lever	1.40
31	K11-9901	Bail trip cover	1.10
32	K07-1501	Bail trip cover screw	.50

Key No.	Part No.	Part Name	Price
33	371-2827	Bearing washer	.40
34	K03-3601	Ball bearing	8.50
35	K11-9501	Spacing sleeve	.60
36	K11-9401	Anti-reverse ratchet	1.40
37	K11-9301	Pinion gear	5.70
38	K11-9201	Pinion holder	.80
39	K12-8601	Body assembly	9.25
40	B84-2102	Bearing retainer screw	.50
41	K11-9001	Anti-reverse lever	1.95
42	B58-8601	Anti-reverse cam spring	.50
43	K11-8601	Anti-reverse pawl plate	.90
44	K11-8701	Anti-reverse pawl	1.40
45	K11-8801	Anti-reverse pawl collar	.85
46	K11-8901	Anti-reverse pawl spring A	.45
47	K08-7802	Anti-reverse pawl screw	.50
48	K08-8101	Anti-reverse pawl spring B	.50
49	K11-5801	Drive gear	3.25
50	K12-1801	Oscillating support	1.10
51	371-2824	Drive gear washer	.40
52	K12-8701	Side cover	4.00
53	K08-7801	Side cover screw	.60
54	K06-8001	Handle assembly	7.75
55	501-8401	Handle lock washer	.75
56	L00-9102	Handle lock screw	1.25

BW4000 Special Parts:

2-9	K06-7303	Spool assembly	10.00
17	K11-9704	Rotor	6.75
23	K06-6401	Bail	4.50
39	K12-8602	Body assembly	9.25
52	K12-8702	Side cover	4.00